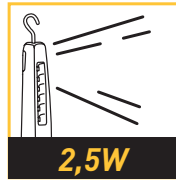


SMD LED

PORTABLE SMD LED LAMP SERIE 100



2,5W



LUX: 750 @ 50 cm
LUMEN: 250
LIGHTING
ANGLE: 80°

SERIE 100



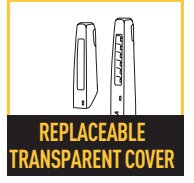
6 SMD LED



IP 64



IK09



REPLACEABLE
TRANSPARENT COVER



ENERGY SAVING

REPLACEABLE
TRANSPARENT COVER

SOFT TOUCH HANDLE

PROTECTED SWITCH

ALSO SUITABLE
FOR CABLE REEL APPLICATION



ENG TECHNICAL FEATURES

- Luminous source SMD LED
- Protected soft touch switch
- Rotating hook
- Available in 100-230 or 12-24 V power supply, with or without cable

FRA CARACTERISTIQUES TECHNIQUES


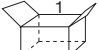
- Source de lumière: LED SMD
- Interrupteur soft touch protégé
- Crochet orientable
- Disponibles en alimentation 100-230 ou 12-24 V, avec ou sans câble

GER TECHNISCHE MERKMALE

- Lichtquelle: SMD LED
- Soft-touch Schalter
- Verstellbarer Haken
- Erhältlich in 100-230 oder 12-24 V Stromversorgung, mit oder ohne Kabel

ESP CARACTERISTICAS TECNICAS

- Fuente del luz: LED SMD
- Interruptor blando protegido
- Gancho orientable
- Disponible en alimentacion 100-230 o 12-24 V, con o sin cable

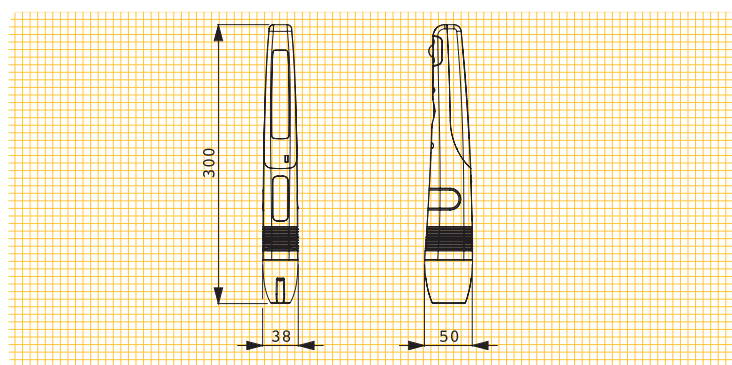
ART.	31100 230 V	30100 230 V	31100 24 V	30100 24 V
Description	Lamp with cable	Lamp without cable	Lamp with cable	Lamp without cable
Light Source	6 SMD LED	6 SMD LED	6 SMD LED	6 SMD LED
Cable length	10 m	/	10 m	/
Cable Type	H05 RN F	/	H05 RN F	/
Supply voltage	110 - 240 V	110 - 240 V	12-24 Vdc-ac	12-24 Vdc-ac
Power	2,5 W	2,5 W	2,5 W	2,5 W
Lamp protection degree	IP 64	IP 64	IP 64	IP 64
	130	130	130	130
	360x120x95 mm 1,2 Kg	360x120x95 mm 0,6 Kg	360x120x95 mm 1,2 Kg	360x120x95 mm 0,6 Kg

SPARE PARTS

ART. 39100/V - Transparent cover / Calotte transparente /
Durchsichtige Abdeckplatte / Casquete transparente

CAUTION: Use with different feedings damages the lamp and no warranty will be applied.

ATTENTION: Courants différents endommagent la baladeuse et la garantie n'est plus valable.

DIMENSIONS

EN 60598-1 EN 60598-2-8
EN 60335-1



2014/35/UE 2014/30/UE
2011/65/UE