

# **ZECA**

**Z**

TECHNICAL EXCELLENCE. SINCE 1929.



INTRODUCING  
**THE NEW**  
**4801 COW REEL**  
FOR FARM USE

# 4801 COW REEL



**SET YOURSELF  
FREE FROM  
TANGLES AND  
EFFORT,  
KEEP YOUR  
FENCE TIDY.**

**PROVIDED  
WITH HANDLE >>  
AND BRACKET**

easy to install,  
designed to make it  
**multidirectional**  
and suitable  
to any use.



**IDEAL FOR  
FENCES**



COWS



HORSES



ELECTRIC  
FENCES

## COMFORTABLE ELECTRIFIABLE REEL FOR LIVESTOCK

### 4801 COW REEL COMES WITH:

20 m of electrifiable cable to create fences, gates and corridors for your cattle.

A hook designed for the access to the fence.

### EASY TO USE

The tape rewinds into its housing in a few seconds by a simple movement.

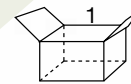
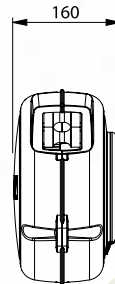
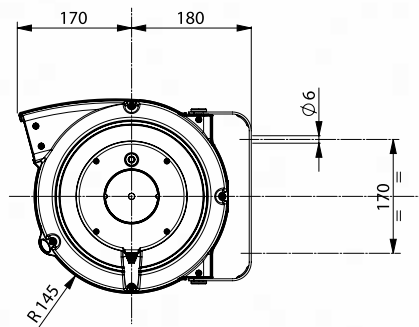
Included: an extra device to stop the cable rewinding that can be easily installed.

### SAFE

Sturdy. Designed and tested to withstand over time.

Quality guaranteed by Zeca's laboratory.

### REEL FEATURES



mm 360x310x185

ART.	TAPE LENGHT	TAPE HEIGHT	TAPE COLOR	TAPE KG. MAX	REEL WEIGHT	CABLE STOP	REEL COLOR
4801 COW	20 m	40 mm	WHITE	120	KG. 4	YES*	GRAY

### DETAILS



5,4 HM - MT



MAX  
120 KG



HIGH QUALITY  
PRODUCTS



STEEL  
CASE

**ZECA.IT**



**ZECA S.p.A.**  
**Strada della Chiara, 25**  
**10080 Feletto Canavese (TO) Italy**  
**P +39 0124 499611**  
**[export@zeca.it](mailto:export@zeca.it)**