

# ZECA

TECHNICAL EXCELLENCE. SINCE 1929.

## HOSE REELS

SERIES AL BLACK

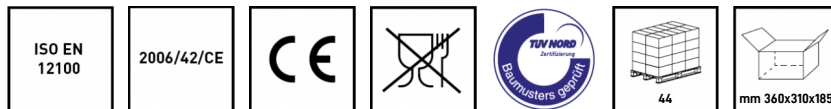
### ART. AL81/10/B SAFE

Hose length (m)  
**8**

Hose internal diameter (mm)  
**10 mm (3/8")**

Tube type  
**KPU SAFE**

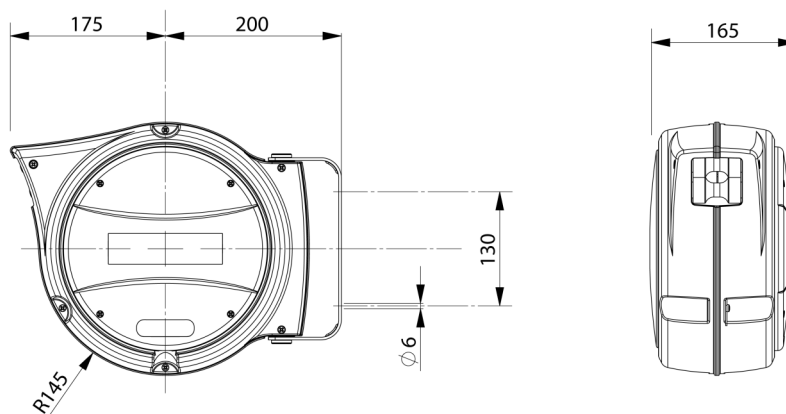
Maximum pressure  
**15 bar**



### TECHNICAL DATA

Article	Hose internal diameter (mm)	Hose length (m)	Cut length (m)	Maximum pressure	End fitting	Temperature	Incoming connection	Tube type	Color	Tube colour	Fluid type
AL81/10/B SAFE	10 mm (3/8")	8	1.5	15 bar	3/8" MBSP	-5°C/+50°C	NO	KPU SAFE	BLACK	GREEN LIME	Air - Water

## OVERALL DIMENSIONS



## Technical features

- KPU and FLEX hose
- Die-cast aluminum structure painted with epoxy powders.
- Metal fixing bracket, adjustable.
- Automatic device to stop the tube at the desired length, which can be disconnected if necessary
- 5 year warranty

## OPTIONAL ACCESSORIES AND SPARE PARTS

### **ART. 949/AL41-AM40**

Anti-rotation device

Optional device for a fixed, instead of adjustable, hose reel AL81